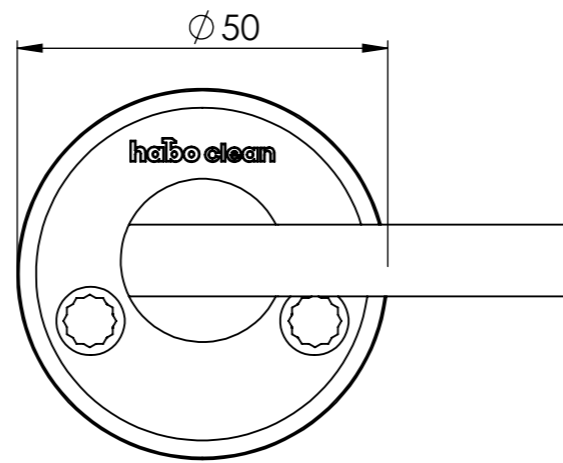
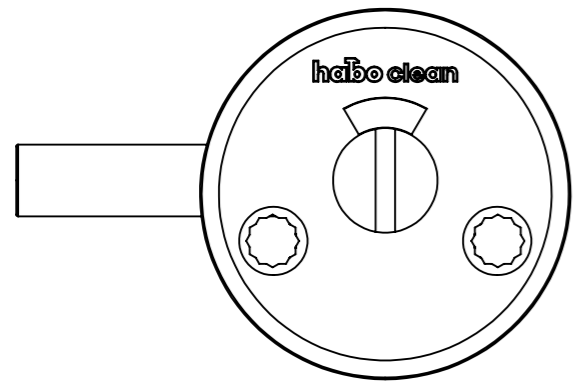
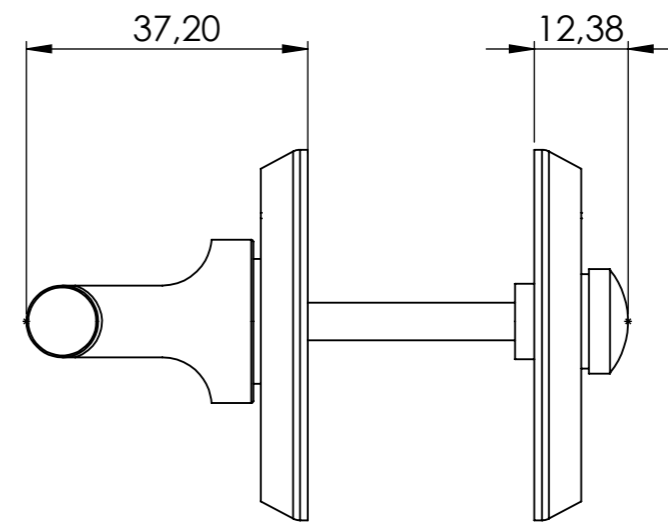
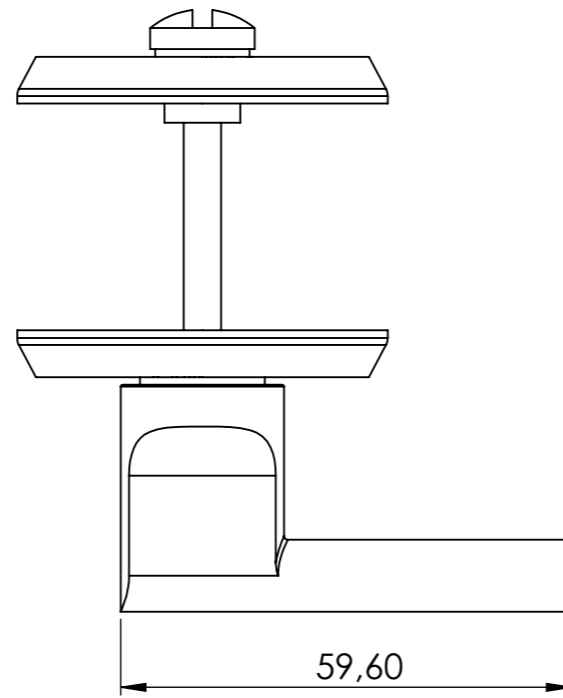


Rev	Note	CreatedBy	Appr.By	Appr.Date



		Tolerance			Project
	Sign.	Date	Surface treatment		Weight
Drawn	CF	2017-09-13	Surface finish		Scale 1:1
Appr.			Heat treatment		First angle projection
			Title/Description	Material	
			habo [®]	Sheet 1/1	
				Drawing number 17242	
					Rev