

Rev	1	2	3	4		
	Note			CreatedBy	Appr.By	Appr.Date

A

B

C

D

E

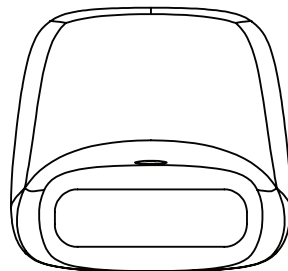
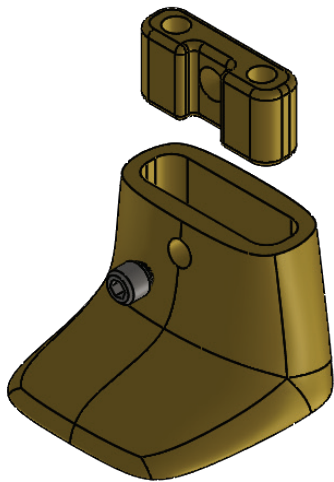
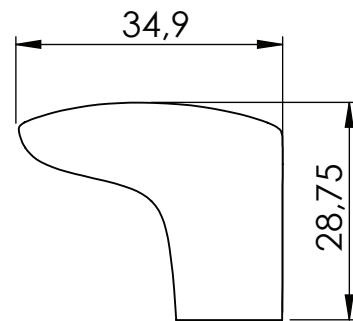
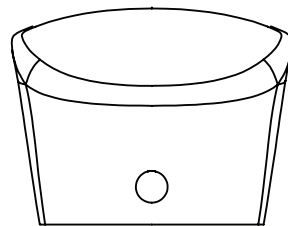
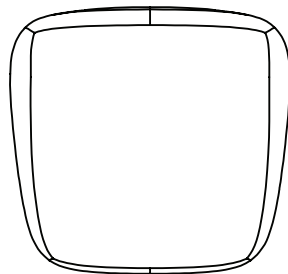
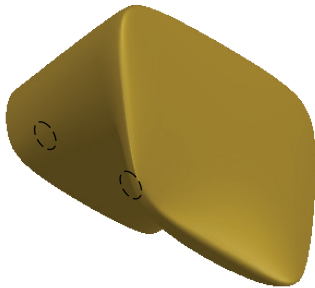
A

B

C

D

E



F

			Tolerance	Project		
	Sign.	Date	Surface treatment	Weight	Scale	First angle projection
Drawn	CF	2020-03-03	Surface finish		1:1	
Appr.			Heat treatment	Material	Sheet	
			Title/Description	Drawing number		1/1
				SMALL HOOK - NO.-1		HABO_01_29-8-2019

HABO_01_29-8-2019

1

2

3

4